

Solenoid valve MP-W

- Can work with zero pressure
- High reliability, long life
- Can change to pin type coil
- Working medium: Air/water/oil
- Working pressure : air: 0-10 Bar , water , oil: 0-7 Bar
- Max. pressure : 10 Bar (1 Mpa)
- Ambient temperature : -5 až 80 °C
- Body : Brass (standart), SS (stainless steal)
- Seal : VITON
- Fluid Viscosity < 20 CST
- Normal close
- Direct acting
- Voltage tolerance +- 10%



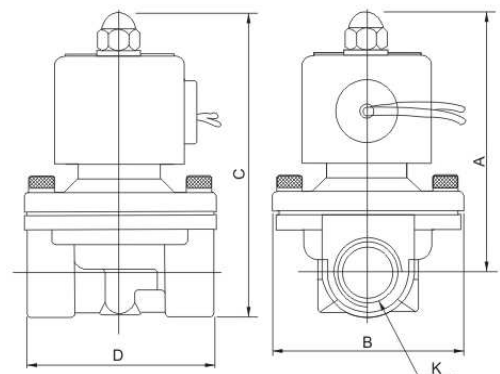
Order codes

MP-W	XXX	XX	AC220V	V
	Orifice size	Connection port	Standartní napětí	Kód těsnění
MP-W16010	160:16mm	10:3/8"	DC12V	V: VITON
MP-W16015	160:16mm	15:1/2"	DC24V	
MP-W20020	200:20mm	20:3/4"	AC24V 50Hz	
MP-W25025	250:25mm	25:1"		
MP-W35035	350:35mm	35:1 1/4"		
MP-W40040	400:40mm	40:1 1/2"		
MP-W50050	500:50mm	50:2"		

Parametr

MODEL	Orifice (mm)	CV value	Connection port
MP-W16010	16	4.8	3/8"
MP-W16015	16	4.8	1/2"
MP-W20020	20	7,6	3/4"
MP-W25025	25	12	1"
MP-W35035	35	24	1 1/4"

Dimensions



MODEL	K	A	B	C	D
MP-W16010	G3/8"	93	56	106	69
MP-W16015	G1/2"	93	56	106	69
MP-W20020	G3/4"	100	55	117	73
MP-W25025	G1"	104	78	125	99
MP-W35035	G1 1/4"	141	93	172	124
MP-W40040	G1 1/2"	141	93	172	124
MP-W50050	G2"	157	124	195	172