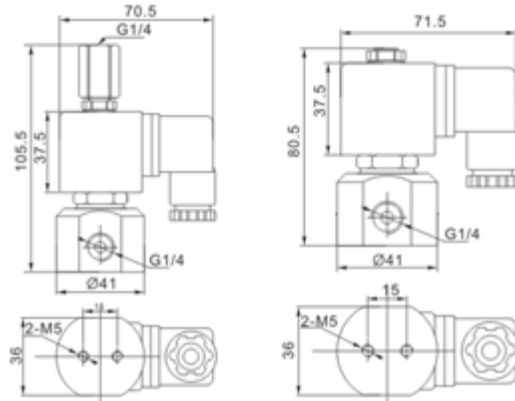


2/2 Ways SS Solenoid valve MPW22, MPW23



- Stainless steel valve body 2/2 MPW22 , 3/2 MPW33
- High reliability, long life
- Working medium: Air/water

Working pressure :

Type	MPW23			MPW23				
Orifice	2 (NC)	2(NO)	2 (universal)	2	3	3.5	4	5
Working differential pressure (Bar)	7	20	8	55	26	16	14	10
Kv factor (L/min)	1,8	1,8	1,8	1,8	3,5	4,3	5,4	6,8

- Max. pressure : 16 Bar (1,6 MPa)
- Ambient temperature : -40 to + 60 °C
- working temperature : -40 to + 180 °C
- Body : SS304 (standard)
- Seal : FPM
- Fluid Viscosity < 20 CST
- Direct acting
- Standard Voltage 230 V 50 Hz , available on request 12 VDC, 24 VDC, 24 VAC , Voltage tolerance +- 10%
- Power consumption Watt 15 VA ,
- Valve can work at any operation position
- Electric connector specification : DIN43650 , IP65