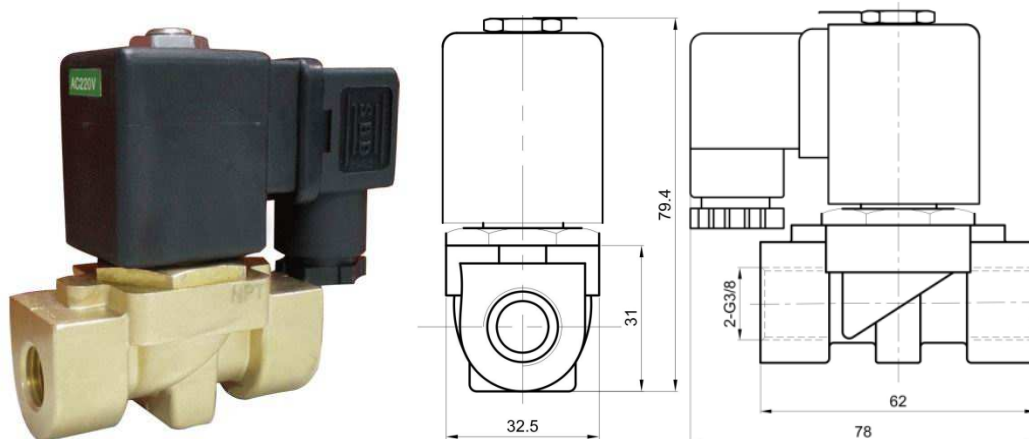


2/2 Ways Solenoid valve MP167



- Floating diaphragm design approach to zero pressure startup
- High reliability, long life
- Good tightness' in low pressure
- Can change to pin type coil
- Working medium: Air/water
- Working pressure : air: 0-16 Bar , water , oil: 0-7 Bar
- Max. pressure : 16 Bar (1 MPa)
- Ambient temperature : -20 to + 80 °C
- working temperature : -25 to + 90 °C
- connection ports G1/2"
- kv factor = 25 L/min
- Body : Brass (standard)
- Seal : NBR
- Fluid Viscosity < 20 CST
- Normal close
- Direct acting
- Voltage tolerance +- 10%
- Standard Voltage 230 V 50 Hz , available on request 12 VDC, 24 VDC, 24 VAC
- Power consumption Watt 9 , 12 VA ,
- Valve can work at any operation position
- Electric connector specification : ISO 4400 , IP65