

ELECTROMAGNETICAL VALVE MP160-1

Electromagnetic 3/2 distribution valve is designed for control low pressure air flow or water liquids.

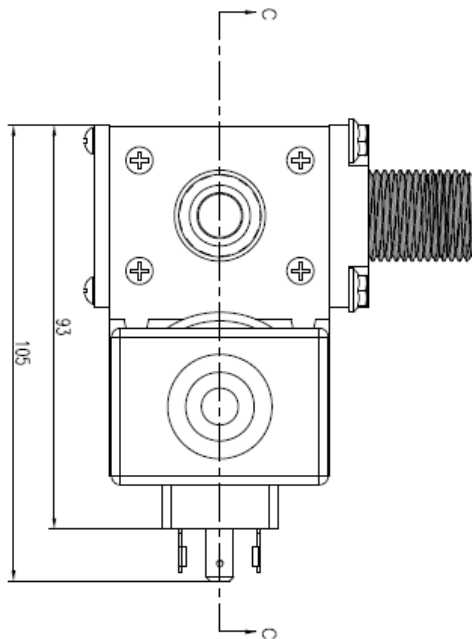
Horizontal port is used as INLET.

Down Vertical Port is outlet / NORMAL OPENED

Top Vertical Port is outlet / NORMAL CLOSED

When you switch ON the coil, then Top Vertical Port is OPENED and Down Vertical Port is CLOSED

ports	Orifice size [mm]	Flow coefficient Kv [l/min]	Differential pressure [bar]		Material		Mass [kg]	Voltage	Power [W]
		water (p = 1 bar)	min	max	body	seal			
G1/2	10	20	0	0.5 Bar	NORIL	NBR	0.45	230VAC	8 Watt



Switched on state

