

## BALL CHECK VALVES

### ▲ APPLICATIONS

Pumping stations for clean, sewage water and loaded or viscous fluids.

### ▲ TECHNICAL DATA

#### Range

Threaded ends from DN32 TO DN65.

Flanged ends from DN50-DN300.

#### Connections

Threaded type: "BSP" acc to ISO 228-1.

Flanged type : DIN2533 PN16 and AS4087 (AS2129 Talbe E ) .

Maximum working pressure 16bars.

Operating temperatures 10°C~80°C.

Seating acc to category A standard ISO 5208.

Minimum backpressure for tightness:0.3bar to 0.5bar.

Face to Face dimensions for flanged type according to EN-558-1 serie 48(DIN3202 F6).



### ▲ TECHNICAL PEREORMANCES

Full bore ensured.

Self cleaning ball.

Low pressure drop.

Silent.

Removable bonnet for cleaning or changing the ball with out disassembly out of the pipeline

Horizontal and vertical installation in the pipeline.

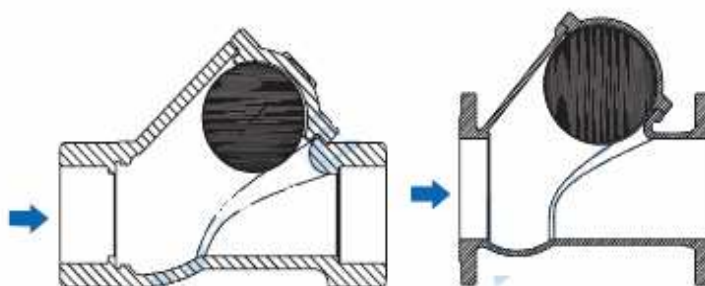
### ▲ TEST

Seat: 1.1x nominal pressure

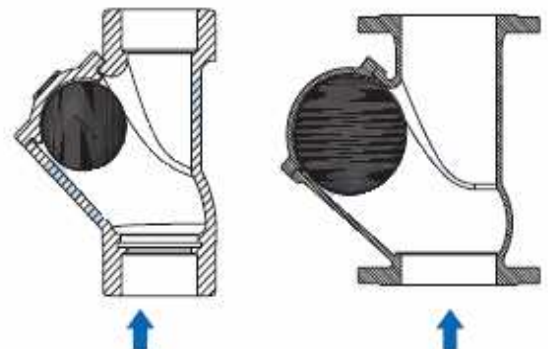
Body: 1.5x nominal pressure

### ▲ MOUNTING IN

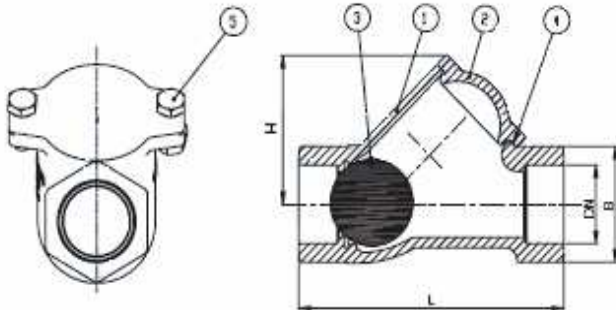
HORIZONTAL INSTALLATION



VERTICAL INSTALLATION



## ▲ DIMENSIONS THREADED

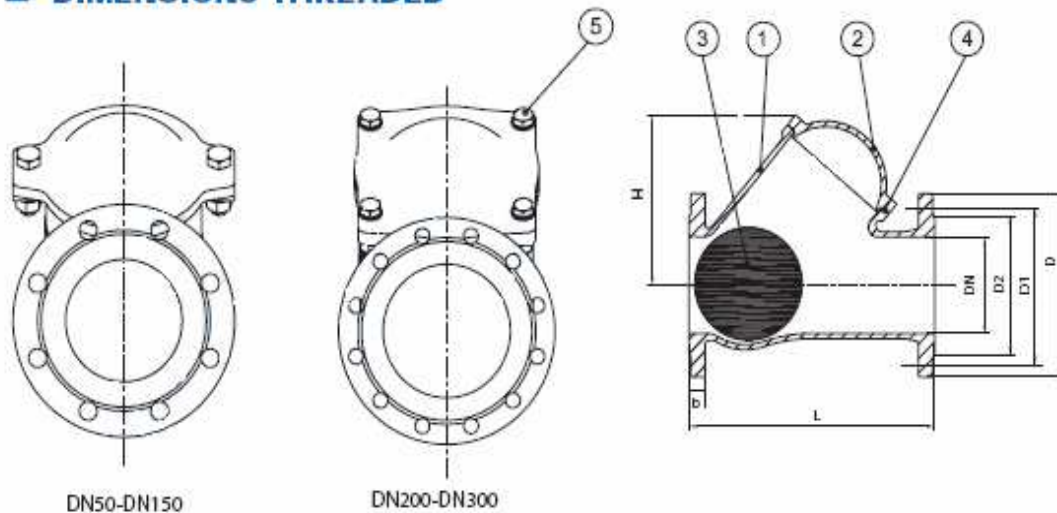


Size	L	B	H	Weight
DN32	135	50	72	2
DN40	145	60	85	2
DN50	175	70	100	3
DN65	200	90	125	5

## ▲ MATERIAL DESCRIPTION

Item NO.	Part Name	Material
1	Body	Ductile Iron
2	Bonnet	Ductile Iron
3	Ball	Steel+NBR
		Steel+EPDM
4	Bonnet Gasket	NBR
		EPDM
4.1	Seal Gasket	NBR
		EPDM
5	Bolting	Stainless Steel

## ▲ DIMENSIONS THREADED



DN50-DN150

DN200-DN300

Size	L	DIN2533 PN16				AS4087 Figure F7				b	H	Weight
		D	D1	D2	n-d1	D	D1	D2	n-d1			
DN50	200	165	125	102	4-18	150	114	90	4-18	20	100	6.5
DN65	240	185	145	122	4-18	165	127	103	4-18	20	125	11
DN80	260	200	160	138	8-18	185	146	122	4-18	22	136	14.35
DN100	300	220	180	158	8-18	215	178	154	4-18	24	185	19.98
DN125	350	250	210	188	8-18	255	210	186	8-18	26	196	30.4
DN150	400	285	240	212	8-22	280	235	207	8-18	26	265	42.3
DN200	500	340	295	268	12-22	335	292	264	8-18	30	340	73.5
DN250	600	405	355	320	12-26	405	356	328	8-22	32	420	128
DN300	700	460	410	378	12-26	455	406	374	12-22	32	480	180