

MP116-2A Series Solenoidový ventil

- working pressure from 0 Bar
- maximum medium temperature 90 C
- type of media neutral Gates, clean water light oils – up to 42 CSt
- low noise with anti-water hammer effects without vibrations
- long lifetime, high reliability , robust construction
- el.mag. coil: BD-A-3

Thermoplastic molding

El. connection in according : ISO4400/EN175301-803/A .

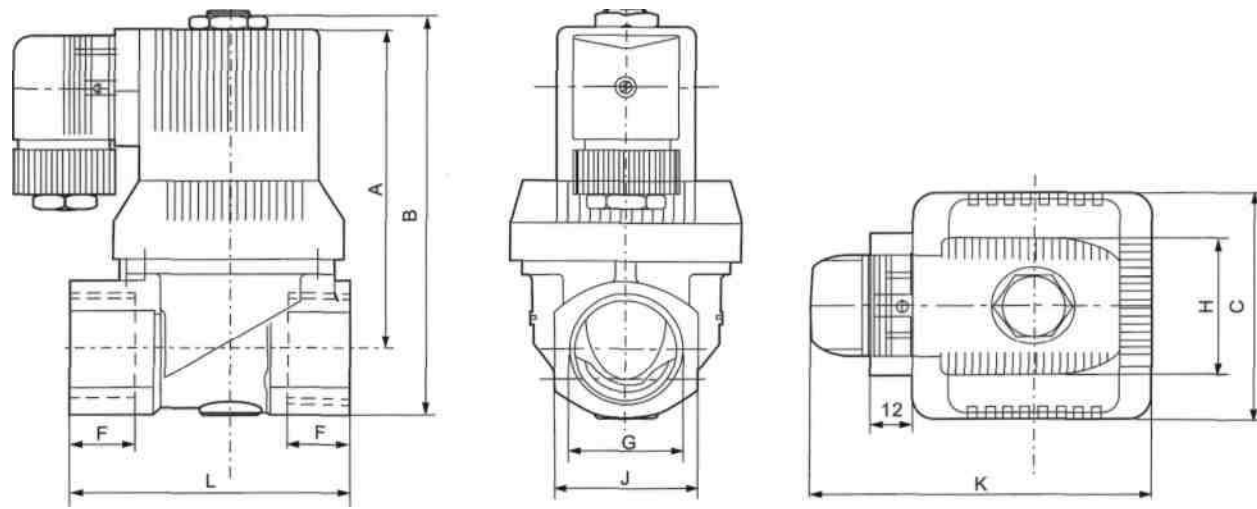
IP65 – class of isolation



Parameters

Model	Orifice (mm)	Connection port	Working pressure	Ambient temperature (C)	Medium temperature (C)	Kv factor (m ³ /h)	Electric consumption	Electric connection
							AC(VA)	
MP1162015A	15	G1/2	0-1.0	-10-+55	-10-+90	3.6	14	230 V 50 Hz 24 VDC 24 V 50 Hz
MP1162020A	14	G3/4				4.8	14	
MP116225A	20	G1				8.3	17	

Overall Dimension



Overall Dimension

Model	G	C	F	L	J	A	B	H	K
MP1162008A	G1/4	38	14	50	26	71	85	40	80
MP1162010A	G3/8	38	14	50	26	71	85		80
MP1162015A	G1/2	38	14	50	26	71	85		80
MP116201514A	G1/2	45	16	58	31	82	96		80
MP1162020A	G3/4	45	16	58	31	82	96		80
MP116202020A	G3/4	65	18	82	41	96	117		95
MP116225A	G1	65	18	82	41	96	117		95

MIVALT s.r.o. , E-mail: mivalt.petr@post.cz , mobil: +420 775 66 00 62 , T/F: +420 530 313 645